

DIGITUS TV Presentation cart

DA-90370
EAN 4016032428589



TV-Cart for screens up to 70", max. 50kg wheelbase, VESA max. 600x400

With our TV cart you can easily set up a flexible presentation solution for varying meeting or classrooms. Thanks to the four wheels the cart can be pushed easily and also provides thanks to the locking mechanism a safe and sturdy stand. With the two shelves for DVD Player, Laptop and Webcam you have enough space to fit your whole meeting or presentation solution on this cart. The cart supports screens between 37" up to 70" with a maximum weight of 50kg. Thanks to the easy height adjustment of up to 218cm and the tilt angle for the screen of up to 10° you can also easily adjust the screen to be seen also from further away. The Universal TV cart allows you to install LED, LCD, and Plasma TVs of all brands.

For flexible presentations in a meetingroom or education use

- Height adjustable between 186 to 218cm
- Up to 50kg maximum weight Monitor
- Portrait or landscape TV mount
- Freely adjustable vertical tilt angle up to 10°
- DVD shelf 43 x 33 cm with a maximum load of 5kg
- VESA up to 600 x 400
- Dimensions (free standing): 2180x910x683 mm (HxWxD)
- Weight: 21,9kg

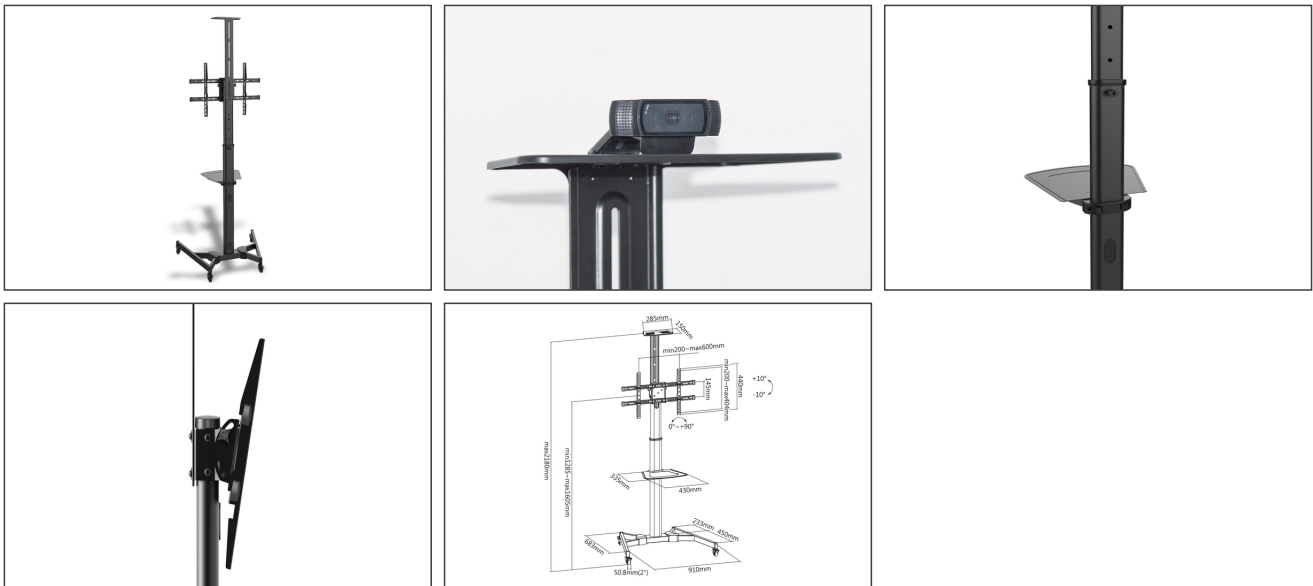
Package contents

- TV Presentation cart
- Installation instruction

Logistics						
	Number (pcs)	Weight (kg)	Depth (cm)	Width (cm)	Height (cm)	cm ³
Packaging Unit Carton	1	23.95	117.60	44.00	21.90	113,319.00
Packaging Unit Inside	1	23.95	0.00	0.00	0.00	0.00
Packaging Unit Single	1	23.95	117.60	44.00	21.90	113,319.00
Net single without Packaging	1	21.90	117.60	44.00	21.90	113,319.00

More images:





Safety notes

- Please read the entire manual before starting assembly and installation. Please contact your local dealer if you have any questions about the instructions or warnings.
- CAUTION: Use with products that exceed the permitted weight may result in damage or possible injury.
- Brackets should be fitted in accordance with the installation instructions. Incorrect installation can result in damage or injury.
- Use safety equipment and suitable tools. The product should only be installed by specialists.
- The load-bearing surfaces should be able to safely withstand the entire weight of appliances and all additional components.
- Only use the installation screws supplied and DO NOT TIGHTEN the screws TOO TIGHT.
- This product contains small parts that can cause a choking hazard if swallowed. Keep these parts away from children.
- Only use this product indoors. Using the product outdoors can lead to injuries and damage.
- IMPORTANT: Before installation, please check all components received against the components list. If parts are damaged or missing, ask your local dealer for replacement parts.

EU responsible person

EU based economic operator ensuring the product complies with the required regulations.

ASSMANN Electronic GmbH
 Auf dem Schüffel 3
 Lüdenscheid, Germany
<https://www.assmann.com>
info@assmann.com