

DIGITUS Full Motion TV Wall Bracket (37-80")

DA-90454
EAN 4016032489191



Full Motion TV Wall Mount 37-80", 60 kg load max.

The DIGITUS® Wall Bracket for displays with VESA bracket from 37-80" offers a convenient and flexible option for mounting a TV/monitor on the wall. With a maximum load capacity of 60 kg, this bracket is able to securely hold larger displays without losing stability. Thanks to its extendible design from 6.3 - 53.6 cm, you can bring your display into the perfect position at all times and thus choose the ideal viewing angle. Whether you want to tilt your display to prevent glare, or swivel it sideways to achieve the best possible viewing experience: this wall bracket offers a hassle-free solution. The display can be swiveled from +60 to -60° and tilted from +5 to -10°. The horizontal adjustment (rotation) from +3 to -3° allows you to align the display precisely and make sure that it is positioned perfectly. You can also move the arms of the bracket individually to the side on the permanently mounted wall carrier plate and lock them in the desired position to achieve an optimal viewing experience. With integrated cable management, the wall bracket is also aesthetically appealing and prevents an untidy mess of cables.

Full motion (swivel, tilt, shift) for optimal positioning with high load capacity (60 kg max.) and broad compatibility (displays of 37-80" max.)

- Display size 37-80"

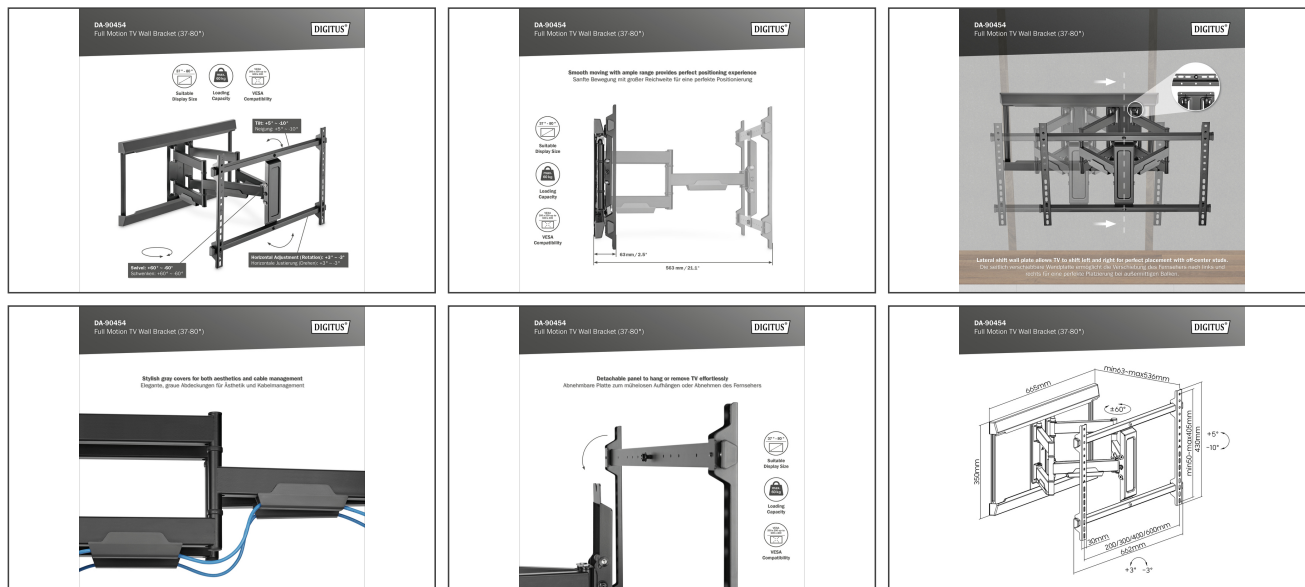
- Maximum load capacity: 60 kg
- Extendible (Depth: 6.3 to 53.6 cm)
- Display swivel +60° to -60°
- Display tilt: +5° to -10°
- Horizontal adjustment (rotation): +3 to -3°
- The arms can be moved individually to the side and locked in the desired position.
- Integrated cable management
- VESA compatibility: 200x100, 200x200, 300x200, 400x200, 300x300, 400x300, 400x400, 600x400
- Suitable for flat & curved TV
- Material: Steel
- Dimensions (folded in): W 66.5 x D 35 x H 6.3 cm
- Weight: 7.75 kg
- Color: Matt black, powder-coated
- Monitor weight (max.): 60 kg
- Mounting method: Wall-mount
- Number of monitors: 1

Package contents

- 1x Full Motion TV Wall Bracket
- 1x Mounting material
- 1x Assembly instructions

Logistics						
	Number (pcs)	Weight (kg)	Depth (cm)	Width (cm)	Height (cm)	cm³
Packaging Unit Carton	2	18.90	47.50	77.50	16.50	60,740.60
Packaging Unit Inside	1	9.45	0.00	0.00	0.00	0.00
Packaging Unit Single	1	9.45	46.00	72.00	7.20	23,846.40
Net single without Packaging	0	7.75	66.50	53.60	43.00	153,269.00

More images:



Safety notes

- Please read the entire manual before starting assembly and installation. Please contact your local dealer if you have any questions about the instructions or warnings.
- CAUTION: Use with products that exceed the permitted weight may result in damage or possible injury.
- Brackets should be fitted in accordance with the installation instructions. Incorrect installation can result in damage or injury.
- Use safety equipment and suitable tools. The product should only be installed by specialists.
- This product can be installed on timber-framed, solid concrete or stone walls.
- The load-bearing surfaces should be able to safely withstand the entire weight of appliances and all additional components.
- Only use the installation screws supplied and DO NOT TIGHTEN the screws TOO TIGHT.
- This product contains small parts that can cause a choking hazard if swallowed. Keep these parts away from children.
- Only use this product indoors. Using the product outdoors can lead to injuries and damage.
- IMPORTANT: Before installation, please check all components received against the components list. If parts are damaged or missing, ask your local dealer for replacement parts.
- MAINTENANCE: Check the bracket regularly for safety and stability (preferably every three months).

EU responsible person

EU based economic operator ensuring the product complies with the required regulations.

ASSMANN Electronic GmbH
 Auf dem Schüffel 3
 Lüdenscheid, Germany
<https://www.assmann.com>
info@assmann.com