

DIGITUS CAT 5e, Class D, wall outlet, flush mount

DN-9001-N
EAN 4016032175650



DIGITUS CAT 5e wall outlet, shielded 2x RJ45, 8P8C, LSA, color pure white,

The shielded CAT 5e network outlets from DIGITUS® are certificated to CAT 5e EIA/TIA 568 and ISO/IEC 11801, EN 50173. The cable installation takes place via LSA strips, color coded acc. EIA/TIA 568 B with horizontal cable entry. All network outlets from DIGITUS® are available flush mount or surface mount.

Full compatible design

- Transmission property: Category 5e
- Area of application: Up to 100 MHz, 10/100Base-T, 1GBase-T
- Norms: ISO/IEC 11801 3rd Ed., EN 50173-1, EIA/TIA 568-C
- General properties:
- Suitable for installation in trunking, surface and flush mount
- RJ45 female, 8P8C
- Cable installation via LSA strips, color coded according to EIA/TIA 568 A & B
- Integrated strain relief for installation cables
- Complete shielding of RJ45 sockets and LSA strips due to zinc die-cast housing
- Strain relief 40°-angled female for patch cord
- Central plate: 50 x 50 mm
- Frame: 80 x 80 mm
- Central plate with integrated dust covers
- Design compatible to common switch ranges
- Technical properties:

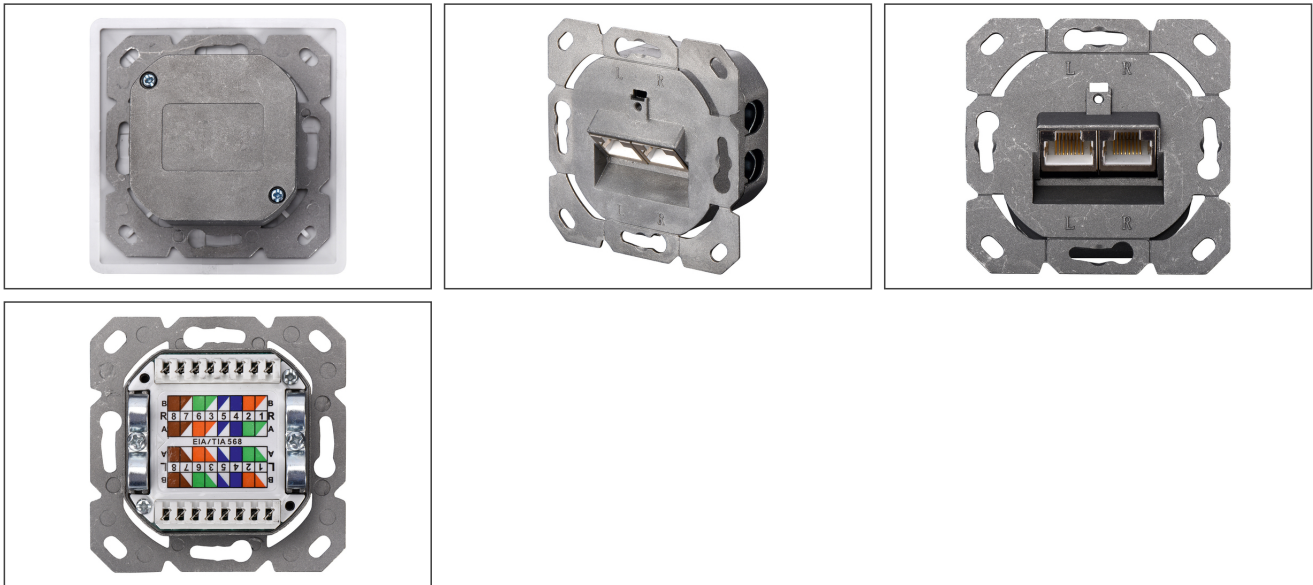
- Housing material: Die-cast metal
- RJ45 female material: ABS UL 94V-0
- RJ45 female contact: Tinned phosphor bronze, 0.5 µ gold-plated contact
- RJ45 shielding: Tinned bronze
- LSA termination clamp: Krone LSA+, UL 94V-2, zinc plated phosphor bronze
- Conductor plate: FR4, UL 94V-0
- Physical properties:
- Insertion force: 30N max. (IEC 60603-7-5)
- Retention strength: 7.7 kg between jack and plug
- Operation temperature: -20° C to +70 °C (ISO/IEC 11801, EN 50173-1, ANSI/TIA/EIA 568 C)
- Mating cycles female: > 750 acc. to ISO/IEC 11801, IEC 60603-7-5
- Clamp: > 200 acc. to ISO/IEC 11801, IEC 60603-7-5
- IDC wire size: 22 – 26 AWG solid and stranded conductor
- Insulation resistance: > 500 MOhm
- Contact resistance: < 20 MilliOhm
- Dielectric strength: 1000 VDC (Contact/Contact), 1500 VDC (Contact/Ground)
- Not compatible with R&M freenet patch cords
- Colour: White RAL9003

Package contents

- Outlet
- Mounting instruction

Logistics						
	Number (pcs)	Weight (kg)	Depth (cm)	Width (cm)	Height (cm)	cm³
Packaging Unit Carton	60	11.40	45.00	38.00	20.00	34.20
Packaging Unit Inside	1	0.19	5.50	9.00	12.00	594.00
Packaging Unit Single	1	0.19	5.50	9.00	12.00	594.00
Net single without Packaging	0	0.15	4.00	8.00	8.00	256.00

More images:



Safety notes

- Protect product from moisture
- Avoid antistatic charging when installing the product
- Observe the specifications of the raw cable manufacturer during installation

EU responsible person

EU based economic operator ensuring the product complies with the required regulations.

ASSMANN Electronic GmbH
 Auf dem Schüffel 3
 Lüdenscheid, Germany
<https://www.assmann.com>
info@assmann.com