

DIGITUS Pop-Out Video Monitor Wall Mount, 45-70"

DA-90446
EAN 4016032481935



Pop-out Video Wall Mount 45-70" screen size, 70 kg max, anti-theft hole

"DA-90446 provides a professional video wall solution while being universally compatible with a maximum load capacity of 70 kg / 154 lbs and max. VESA 600x400 hole pattern. Multi-dimensional micro-adjustment allows precise alignment of the video wall configuration including depth, height and tilt. This video wall mount features a quick-lock mechanism for easy installation and maintenance. The quick-lock mechanism holds the screens in place, thanks to a locking and unlocking system. It is the perfect solution for public and commercial displays with an anti-theft design (padlock required). □□"

Pop-out function: Provides quick access for installation and maintenance and allows precise alignment of your video walls

- Pop-out function - Quick access for installation and maintenance
- Supported screen sizes: 45" - 70"
- Maximum load capacity: 70 kg
- Fine adjustment: Depth 20 mm / height 25 mm
- Tilt range: +4° to -2°
- Screen level: +3° to -3°

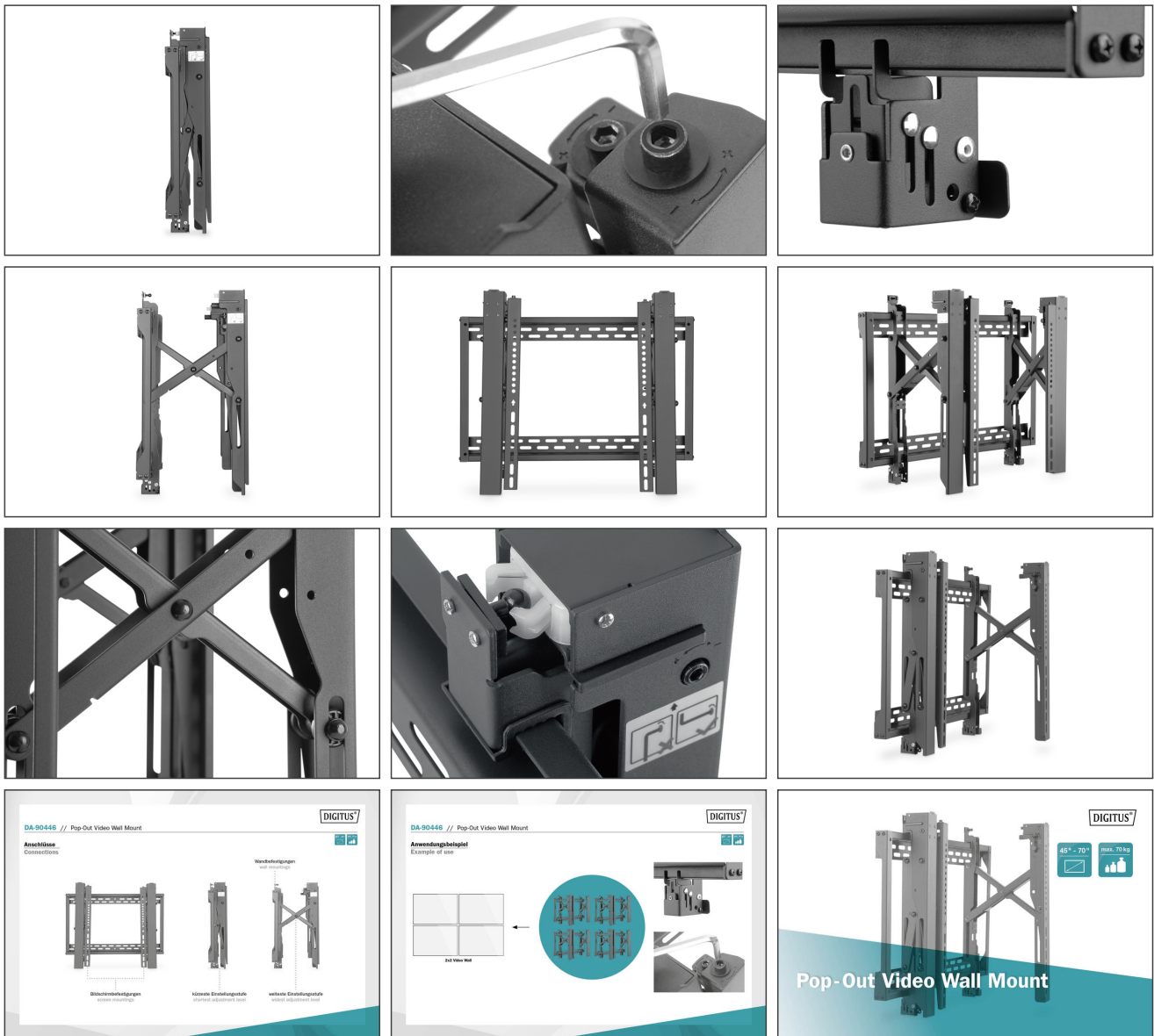
- VESA compatibility: 200x200, 300x200, 400x200, 300x300, 400x300, 400x400, 600x400
- Precise display alignment: Height/depth adjustment
- Quick lock: Locks/unlocks the display
- Pop-out lock system: Ensures safety by preventing the possibility of accidental pop-out
- Anti-theft lock hole: For added security against unintentional removal (additional padlock required)
- Mounting: Wall installation
- Material: Steel
- Color: Black
- Surface: Powder coating
- Dimensions (folded): W 67 x D 52.4 x H 9.5 cm
- Weight: 10.55 kg
- Monitor weight (max.): 70 kg
- Mounting method: Wall-mount
- Number of monitors: 1

Package contents

- 1 x Pop-Out Video Monitor Wall Mount
- 1 x Mounting material
- 1 x Installation instructions

Logistics						
	Number (pcs)	Weight (kg)	Depth (cm)	Width (cm)	Height (cm)	cm ³
Packaging Unit Carton	0	0.00	0.00	0.00	0.00	0.00
Packaging Unit Inside	0	0.00	0.00	0.00	0.00	0.00
Packaging Unit Single	0	0.00	0.00	0.00	0.00	0.00
Net single without Packaging	0	0.00	0.00	0.00	0.00	280.83

More images:



Safety notes

- Please read the entire manual before starting assembly and installation. Please contact your local dealer if you have any questions about the instructions or warnings.
- CAUTION: Use with products that exceed the permitted weight may result in damage or possible injury.
- Brackets should be fitted in accordance with the installation instructions. Incorrect installation can result in damage or injury.
- Use safety equipment and suitable tools. The product should only be installed by specialists.
- This product can be installed on timber-framed, solid concrete or stone walls.
- The load-bearing surfaces should be able to safely withstand the entire weight of appliances and all additional components.
- Only use the installation screws supplied and DO NOT TIGHTEN the screws TOO TIGHT.
- This product contains small parts that can cause a choking hazard if swallowed. Keep these parts away from children.
- Only use this product indoors. Using the product outdoors can lead to injuries and damage.
- IMPORTANT: Before installation, please check all components received against the components list. If parts are damaged or missing, ask your local dealer for replacement parts.
- MAINTENANCE: Check the bracket regularly for safety and stability (preferably every three months).

EU responsible person

EU based economic operator ensuring the product complies with the required regulations.

ASSMANN Electronic GmbH
 Auf dem Schüffel 3
 Lüdenscheid, Germany
<https://www.assmann.com>

info@assmann.com