

DIGITUS Universal Monitor Wall Mount with Gas Spring and Swivel Arm

DA-90428
EAN 4016032479789



Single Gas Spring Monitor Wall Mount 43", 23v kg max., black

The Universal Monitor Wall Mount from DIGITUS® supports flat and curved monitors up to 43" with a weight of max. 23 kg. The gas spring and swivel arm guarantee convenient and flexible adjustment of the monitor position. Integrated cable management ensures an organized and tidy working area. The wall mount offers VESA compatibility of 75x75 / 100x100 / 200x200 as well as 224x224.

Full flexibility for your monitor – Tilt, rotate, swivel and compact wall installation

- For flat and curved monitors from 17" - 43"
- Maximum load capacity: 23 kg
- VESA compatibility: 75 x 75, 100 x 100, 200 x 200, 224 x 224
- Tilt: -5°/+15°, Swivel: -90°/+90°, Front panel rotation range: -3°/+3°
- Swivel arm: offers maximum flexibility of vision
- Gas spring: perfectly balances the weight of your monitor
- Built-in spring compressor for perfect weight adjustment

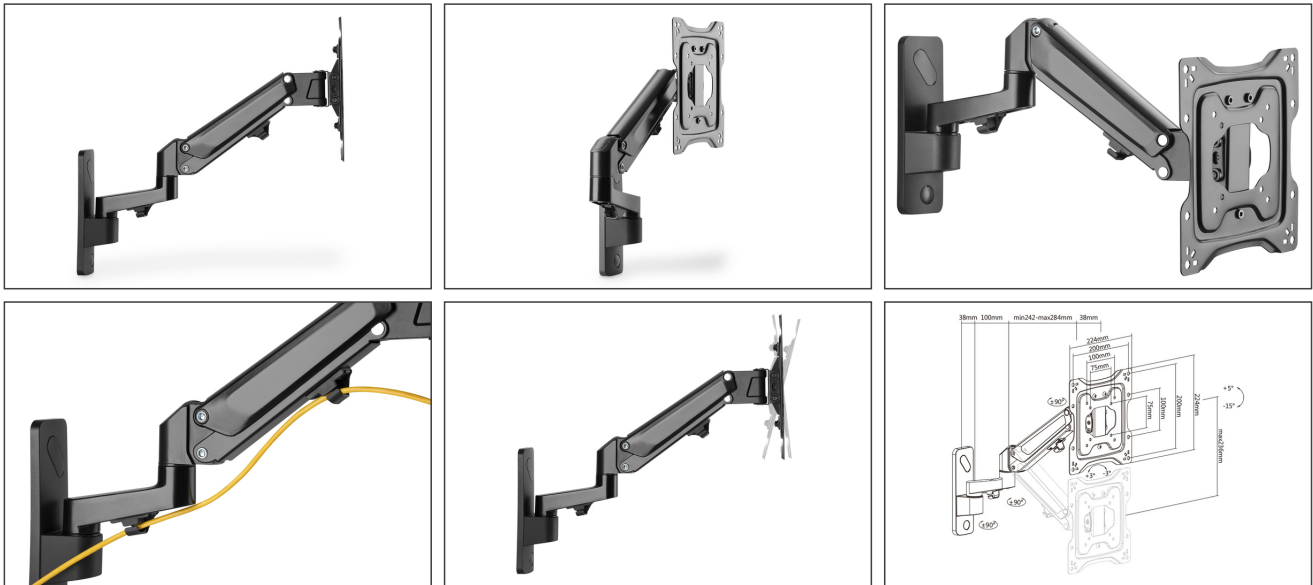
- Integrated cable management: for an organized and tidy working area
- Material: Aluminum, plastic, steel
- Surface: Powder coating
- Number of monitors: 1
- Mounting type: Wall installation
- Length: L 45.5 x W 22.4 x H 35 cm
- Weight: 2.9 kg
- Color: Black, matte
- Monitor weight (max.): 23 kg
- Mounting method: Wall-mount
- Number of monitors: 1
- VESA mount: 75x75 mm, 100x100 mm, 200x200 mm

Package contents

- 1x Universal monitor wall mount
- 1x Mounting accessories
- 1x Quick installation guide

Logistics						
	Number (pcs)	Weight (kg)	Depth (cm)	Width (cm)	Height (cm)	cm ³
Packaging Unit Carton	5	19.30	37.00	46.00	45.50	77,441.00
Packaging Unit Inside	1	3.86	0.00	0.00	0.00	0.00
Packaging Unit Single	1	3.86	34.90	44.00	8.40	12,899.00
Net single without Packaging	1	2.90	45.50	22.40	35.00	0.00

More images:



Safety notes

- Please read the entire manual before starting assembly and installation. Please contact your local dealer if you have any questions about the instructions or warnings.
- CAUTION: Use with products that exceed the permitted weight may result in damage or possible injury.
- Brackets should be fitted in accordance with the installation instructions. Incorrect installation can result in damage or injury.
- Use safety equipment and suitable tools. The product should only be installed by specialists.
- This product can be installed on timber-framed, solid concrete or stone walls.
- The load-bearing surfaces should be able to safely withstand the entire weight of appliances and all additional components.
- Only use the installation screws supplied and DO NOT TIGHTEN the screws TOO TIGHT.
- This product contains small parts that can cause a choking hazard if swallowed. Keep these parts away from children.
- Only use this product indoors. Using the product outdoors can lead to injuries and damage.
- IMPORTANT: Before installation, please check all components received against the components list. If parts are damaged or missing, ask your local dealer for replacement parts.
- MAINTENANCE: Check the bracket regularly for safety and stability (preferably every three months).

EU responsible person

EU based economic operator ensuring the product complies with the required regulations.

ASSMANN Electronic GmbH
 Auf dem Schüffel 3
 Lüdenscheid, Germany
<https://www.assmann.com>
info@assmann.com