

DIGITUS Universal Single Monitor Clamp Mount

DA-90399
EAN 4016032465164



Single Monitor Clamp Mount 15-32", 8 kg (max.), black

With the universal monitor mount from DIGITUS®, you can conveniently attach a monitor with dimensions between 15" - 32" to your desk using a clamp mount. The quick release function also makes it easier for you to install the monitor. The VESA bracket is simply inserted into the corresponding mount and fastened with a screw. Without a great deal of effort, you can arrange the monitor according to your needs and pivot, incline or rotate the monitor, for instance for monitors in portrait mode. You can also make height adjustments of up to 31.5 cm. The monitor cables can be stored in an orderly fashion using the cable routing included in delivery. Do a good deed for yourself and your health by adjusting your monitor optimally for your body and your sitting position.

The desktop mount allows you to individually arrange monitors from 15" - 32". The monitors can be swiveled, inclined, rotated and their height can be adjusted. With quick release function for easy mounting.

- Suitable for monitors with dimensions between 15" and 32"
- Maximum load capacity: 8 kg
- Quick release function: Simple clipping in of the monitor to the mount

- Rotation of the VESA bracket / swivel arm: 270° (3 hinges with 90° each)
- Inclination of the VESA bracket: 90°
- Rotation of the VESA bracket: 360°
- Supports VESA dimensions: 75 x 75, 100 x 100
- Maximum height adjustment: 31.5 cm
- For tabletop thicknesses between: 10 - 85 mm
- Material: Steel
- Dimensions: W 51.7 x D 11.4 x H 49.8 cm
- Weight: 2.5 kg
- Color: Black, matte

Attributes

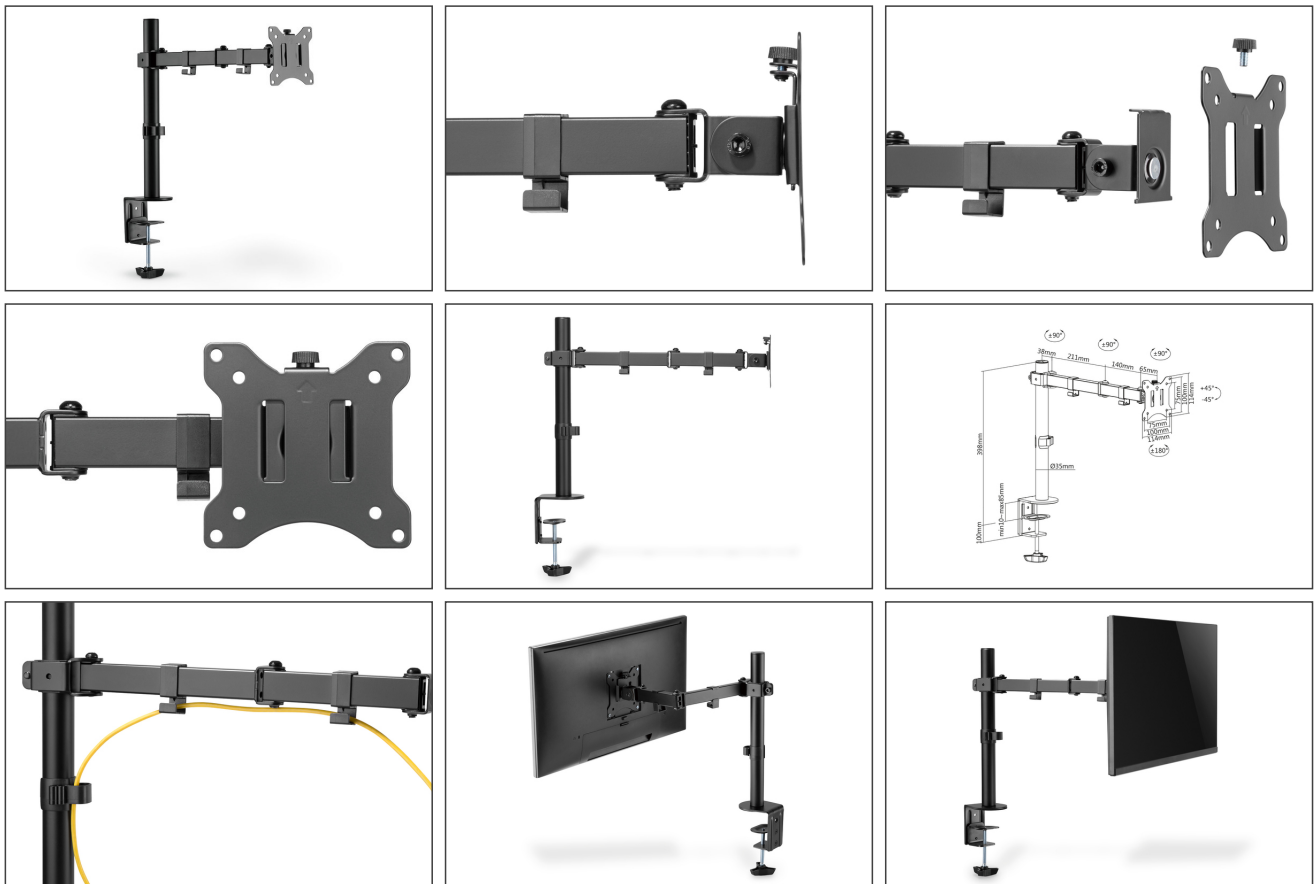
- Monitor weight (max.): 8 kg
- Mounting method: Clamp-mount
- Number of monitors: 1
- Size of monitors: up to 32"
- VESA mount: 75x75 mm, 100x100 mm

Package contents

- Universal Single Monitor Clamp Mount
- Mounting material
- Installation instruction

Logistics						
	Number (pcs)	Weight (kg)	Depth (cm)	Width (cm)	Height (cm)	cm³
Packaging Unit Carton	6	18.10	44.00	26.00	33.00	37,752.00
Packaging Unit Inside	1	3.02	0.00	0.00	0.00	0.00
Packaging Unit Single	1	3.02	11.70	42.20	10.00	4,937.40
Net single without Packaging	1	2.54	51.70	11.40	49.80	0.00

More images:



Safety notes

- Please read the entire manual before starting assembly and installation. Please contact your local dealer if you have any questions about the instructions or warnings.
- CAUTION: Use with products that exceed the permitted weight may result in damage or possible injury.
- Brackets should be fitted in accordance with the installation instructions. Incorrect installation can result in damage or injury.
- Use safety equipment and suitable tools. The product should only be installed by specialists.
- This product can be installed on timber-framed, solid concrete or stone walls.
- The load-bearing surfaces should be able to safely withstand the entire weight of appliances and all additional components.
- Only use the installation screws supplied and DO NOT TIGHTEN the screws TOO TIGHT.
- This product contains small parts that can cause a choking hazard if swallowed. Keep these parts away from children.
- Only use this product indoors. Using the product outdoors can lead to injuries and damage.
- IMPORTANT: Before installation, please compare all components received with the components list. If parts are damaged or missing, ask your local dealer for replacement parts.
- MAINTENANCE: Check the bracket regularly for safety and stability (preferably every three months).

EU responsible person

EU based economic operator ensuring the product complies with the required regulations.

ASSMANN Electronic GmbH
 Auf dem Schüffel 3
 Lüdenscheid, Germany
<https://www.assmann.com>
info@assmann.com