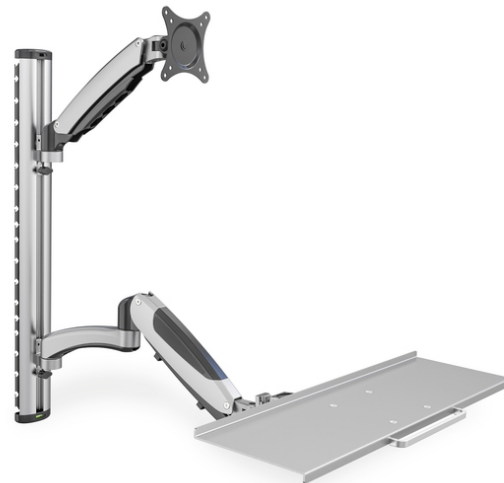


# DIGITUS Workstation (monitor, keyboard, mouse) Wall Mount

DA-90354  
EAN 4016032383161



**Workstation (Monitor, Keyboard) Wall Mount 27 inch, 6 kg, VESA 75x75, 100x100, silver**

Universal wall mount with flexible working height adjustment for mounting monitors and keyboards. Set up a workspace that people of various different heights can use – you can easily adjust the working height with just two quick motions. Simply note the VESA size and the weight of your monitor in order to select a suitable mount.

**Universal mount with flexible height adjustment for mounting monitors and keyboards to the wall**

- Integrated cable routing

- Suitable for standard VESA mounting patterns of 75 x 75 and 100 x 100 mm
- Max. load bearing capacity: 6 kg per arm
- Weight: 4.2 kg
- Dimensions: 700 x 700 x 520 mm

**Attributes**

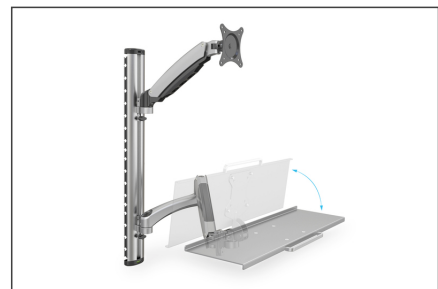
- Style: PC Workstation

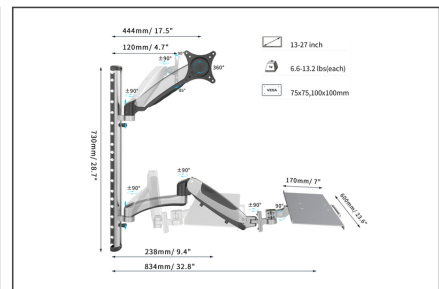
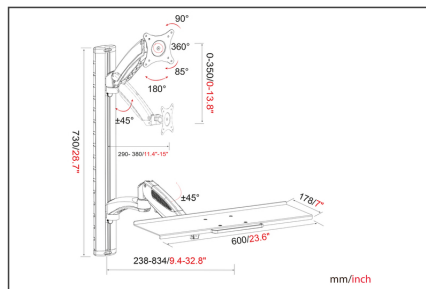
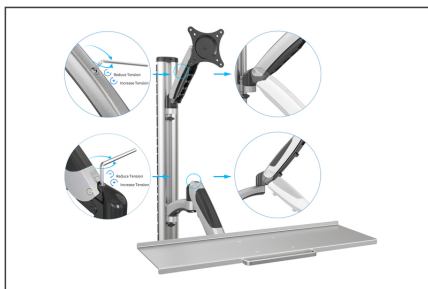
**Package contents**

- Wall mount
- Screws for mounting the monitor
- Operating instructions

Logistics						
	Number (pcs)	Weight (kg)	Depth (cm)	Width (cm)	Height (cm)	cm³
Packaging Unit Carton	2	12.66	78.00	25.50	23.00	45,747.00
Packaging Unit Inside	1	6.33	76.50	23.00	10.00	17,595.00
Packaging Unit Single	1	6.33	76.50	23.00	10.00	17,595.00
Net single without Packaging	1	4.82	83.40	73.00	60.00	0.00

**More images:**





**Safety notes**

- Please read the entire manual before starting assembly and installation. Please contact your local dealer if you have any questions about the instructions or warnings.
- CAUTION: Use with products that exceed the permitted weight may result in damage or possible injury.
- Brackets should be fitted in accordance with the installation instructions. Incorrect installation can result in damage or injury.
- Use safety equipment and suitable tools. The product should only be installed by specialists.
- The load-bearing surfaces should be able to safely withstand the entire weight of appliances and all additional components.
- Only use the installation screws supplied and DO NOT TIGHTEN the screws TOO TIGHT.
- This product contains small parts that can cause a choking hazard if swallowed. Keep these parts away from children.
- Only use this product indoors. Using the product outdoors can lead to injuries and damage.
- IMPORTANT: Before installation, please check all components received against the components list. If parts are damaged or missing, ask your local dealer for replacement parts.

**EU responsible person**

EU based economic operator ensuring the product complies with the required regulations.

ASSMANN Electronic GmbH  
 Auf dem Schüffel 3  
 Lüdenscheid, Germany  
<https://www.assmann.com>  
[info@assmann.com](mailto:info@assmann.com)